

***SBS3X SERIES***



**MINIATURE SINGLE-PHASE SCHOTTKY BARRIER SURFACE MOUNT  
BRIDGE RECTIFIER**

产  
品  
规  
格

确  
认  
书

*<http://www.cenxelec.com.cn>*

# SBS34 THRU SBS36

## MINIATURE SINGLE-PHASE SCHOTTKY BARRIER SURFACE MOUNT BRIDGE RECTIFIER

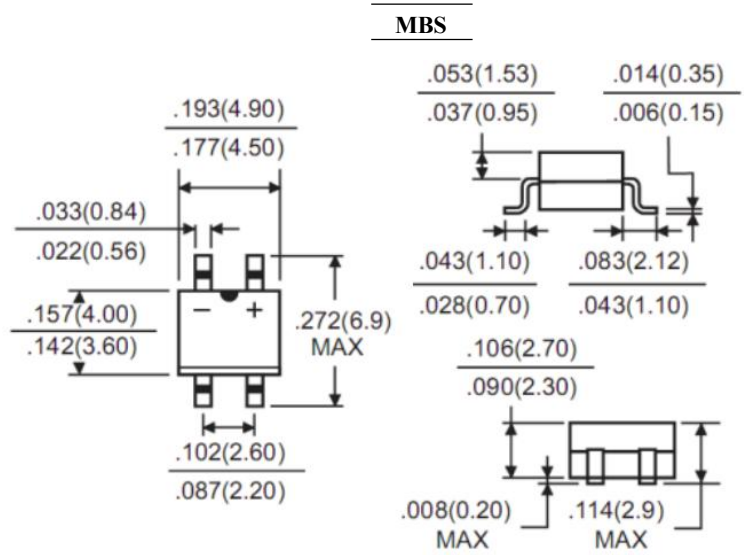
**REVERSE VOLTAGE:** 40 to 60 VOLTS  
**FORWARD CURRENT:** 3.0 AMPERE

### FEATURES

- Schottky technology
- Ideal for printed circuit board
- High surge current capability
- Compliant to RoHS Directive 2011/65/EU and in accordance to WEEE 2002/96/EC
- High temperature soldering guaranteed: 260°C for 10 seconds

### MECHANICAL DATA

- Case: Molded plastic, MBS
- Epoxy: UL 94V-O rate flame retardant
- Terminals: Pure tin plated, lead free, Leads solderable per MIL-STD-202, method 208 guaranteed
- Mounting position: as Marking
- Weight: 0.114gram



Dimensions in inches and (millimeters)

### Maximum Ratings and Electrical Characteristics

Ratings at 25°C ambient temperature unless otherwise specified.

Single phase, half wave, 60Hz, resistive or inductive load.

For capacitive load, derate current by 20%.

MAXIMUM RATINGS AND ELECTRICAL CHARACTERISTICS (Ta=25°C unless otherwise noted)				
PARAMETER	Symbols	SBS34	SBS36	Units
Maximum repetitive peak reverse voltage	V <sub>RRM</sub>	40	60	Volts
Maximum RMS voltage	V <sub>RMS</sub>	28	42	Volts
Maximum DC blocking voltage	V <sub>DC</sub>	40	60	Volts
Maximum average forward rectified current	I <sub>F(AV)</sub>	3		Amp
Peak forward surge current, 8.3 ms single half sine-wave superimposed on rated load(JEDEC Method)	I <sub>FSM</sub>	80		Amp
Rating for fusing(t=8.3ms)	I <sup>2</sup> t	26		A <sup>2</sup> s
Maximum instantaneous forward voltage(Note 1) I <sub>F</sub> =3A	V <sub>F</sub>	0.50	0.70	Volts
Maximum DC reverse current at rated DC blocking voltage (Note 2)	I <sub>R</sub>	0.5		mA
		10	-	
		-	10	
Typical thermal resistance	R <sub>θJL</sub>	41		°C/W
	R <sub>θJA</sub>	83		
Operating junction temperature range	T <sub>J</sub>	-55 to +125	-55 to +150	°C
Storage temperature range	T <sub>stg</sub>	-55 to +150		°C

#### NOTES:

Note 1: Pulse test with PW=300us, 1% duty cycle

Note 2: Pulse test with PW=40ms

# SBS34 THRU SBS36

MINIATURE SINGLE-PHASE SCHOTTKY BARRIER SURFACE MOUNT BRIDGE RECTIFIER



## Characteristic Curves ( $T_A=25\text{ }^\circ\text{C}$ unless otherwise noted)

FIG.1 MAXIMUM FORWARD CURRENT DERATING CURVE

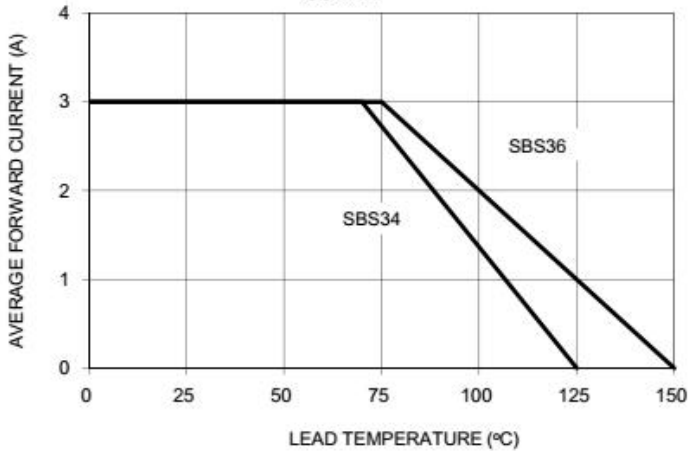


FIG. 2 TYPICAL REVERSE CHARACTERISTICS

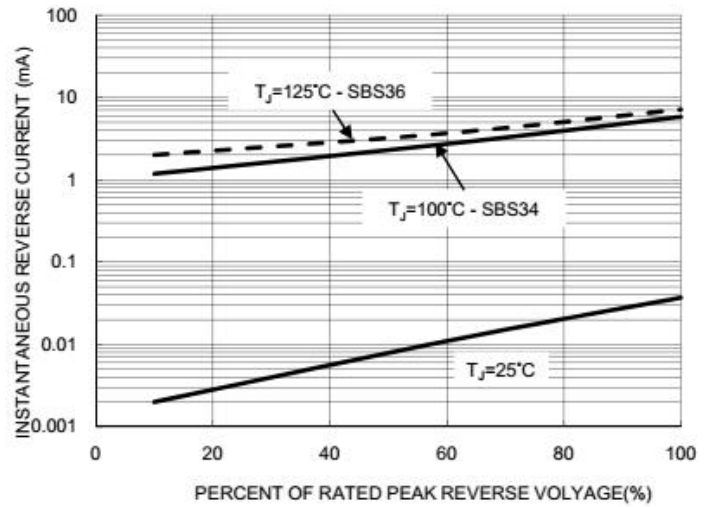


FIG. 3 MAXIMUM NON-REPETITIVE FORWARD SURGE CURRENT

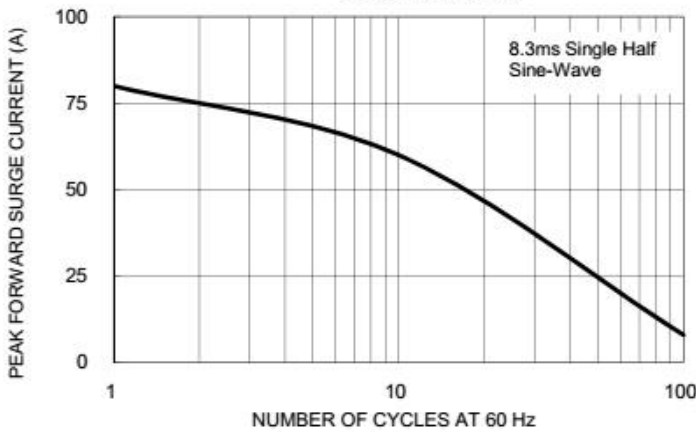


FIG. 4 TYPICAL JUNCTION CAPACITANCE

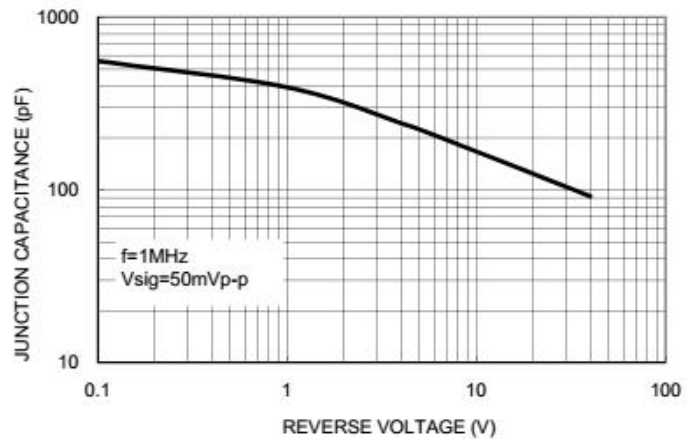


FIG. 5 TYPICAL FORWARD CHARACTERISTICS

